

TOYOTA LANDCRUISER

80, 105 Series

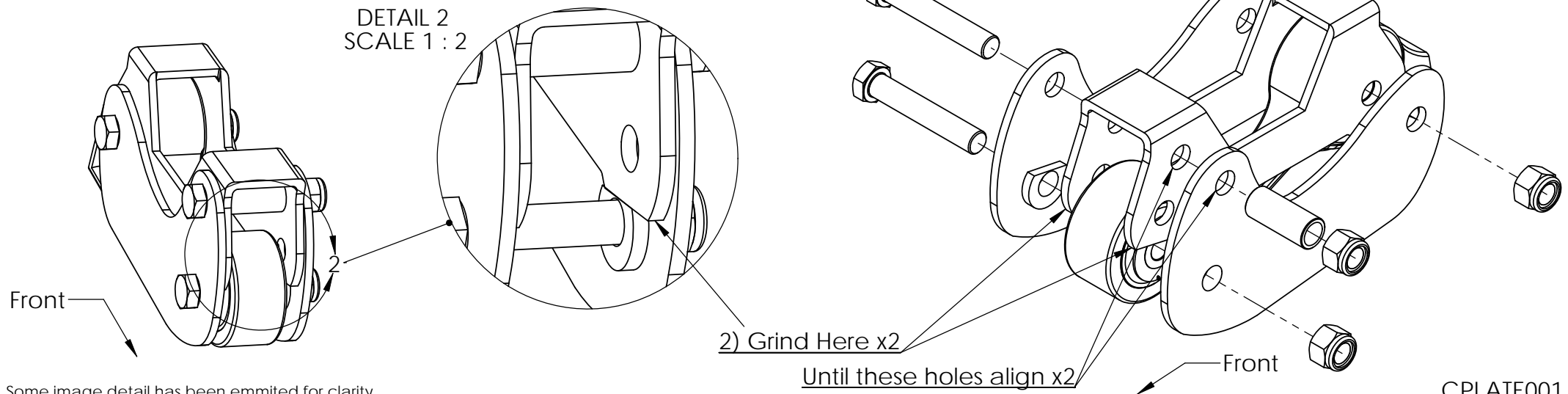
5 Degree Caster Plates

For 130mm - 170mm Lifts

- Ensure you have received all parts prior to commencement of work.
 - Work on one Radius Arm at a time.
 - Three Caster Plates will appear similarly shaped. One will appear different, the odd plate must be installed to inner side nearest enlarged diff casing.
- 1) Remove both bolts from radius arm/diff mount. Then position caster plates with 1/2 cut washer facing inward, loosely install and lightly tighten new rear bolt and nut to hold assembly in place.
 - 2) Raise front of caster plates so the 1/2 cut washer is butted up against bottom of diff mount brackets, it is required to grind away the diff bracket at this point, until the front upper hole in caster plate is in line with upper hole in diff bracket.
 - 3) Loosen rear radius arm bolt and remove front bolt on the other side of vehicle to aid diff movement and positioning. Return to caster plate assembly and install new front lower bolt, followed by front upper bolt including spacer tube between diff mounts.
 - 4) Only tighten assembly after vehicle has been lowered to the ground.
 - 5) Wheel align vehicle, and check tension of all bolts after 500km.



IRONMAN 4X4
CNR CENTRE AND WESTALL RD
CLAYTON, VICTORIA, AUSTRALIA, 3168
PH: +61 3 9532 1111
WWW.IRONMAN4X4.COM



Some image detail has been omitted for clarity

CPLATE001